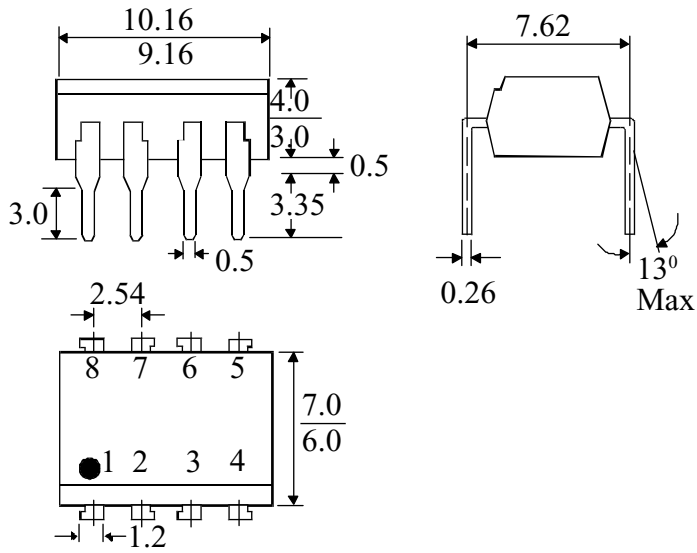
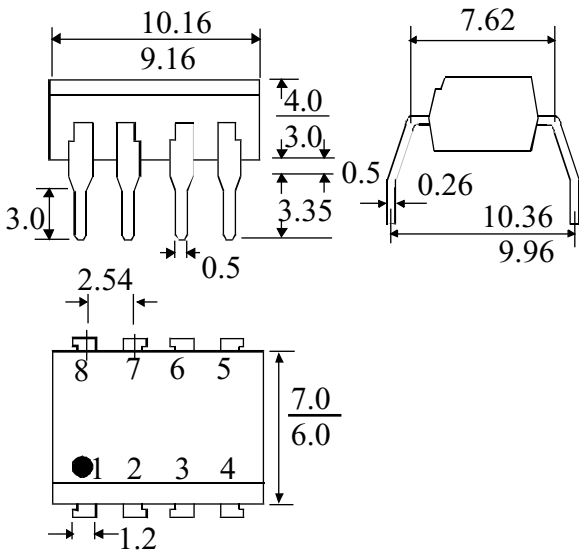


## 8pin Dual Transistor, Darlington, AC Input



**Dimensions in mm  
(Not To Scale)**



### Notes

1. Variable Internal Product Code
2. UL1577 package approved

