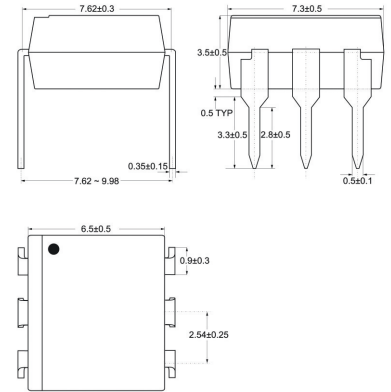
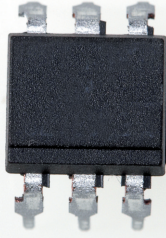
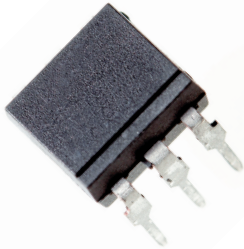
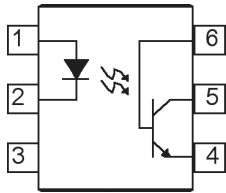




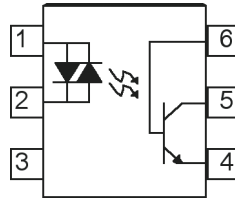
## 6 Pin DIL & SMD Optocouplers



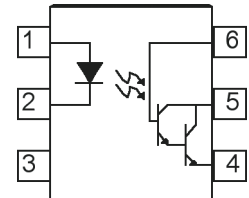
### Transistor Output



### AC Input



### Darlington Output



### Description

The 6 pin transistor output series of optically coupled isolators consist of an infrared light emitting diode and a NPN silicon phototransistor in a dual-in-line plastic package.

### Description

The 6 pin AC input series of optically coupled isolators consist of two infrared light emitting diodes connected in inverse parallel and a NPN silicon phototransistor in a dual-in-line plastic package.

### Description

The 6 pin darlington output series of optically coupled isolators consist of an infrared light emitting diode and a NPN silicon photodarlington to give superior gain in a dual-in-line plastic package.

### Features

- High Current Transfer Ratio
- High Isolation Voltage
- All electrical parameters 100% tested
- Custom electrical selections available

### Features

- High Isolation Voltage
- AC or polarity insensitive input
- All electrical parameters 100% tested
- Custom electrical selections available

### Features

- High Current Transfer Ratio
- High Isolation Voltage
- All electrical parameters 100% tested
- Custom electrical selections available

### Applications

- Switch mode power supplies
  - Household appliances
  - Computer terminals
- Industrial systems controllers
  - Measuring instruments
- Signal transmission between systems of different potentials and impedances

## 6 Pin DIL & SMD Optocouplers

### Part Numbers

Transistor Output				AC Input		Darlington Output	
4N25	CNY17F-5*	IS204-1	MCT277	SFH601-4	CNY35	4N29	ISPD65*
4N26	CNY75A	IS204-2	MCT2E	SFH601-5	H11AA1	4N30	MCA2230
4N27	CNY75B	IS204-3	MOC8100	SFH609-1	H11AA2	4N31	MCA2231
4N28	CNY75C	IS205*	MOC8101*	SFH609-2	H11AA3	4N32	MCA2255
4N35	CQY80	IS205-1*	MOC8102*	SFH609-3	H11AA4	4N33	MCA230
4N36	H11A1	IS205-2*	MOC8103*	SFH609-4	IS604	H11B1	MCA231
4N37	H11A2	IS205-3*	MOC8104*	TIL111	IS733	H11B2	MCA255
4N38	H11A3	IS206*	MOC8105*	TIL112		H11B3	MOC8020*
4N38A	H11A4	IS5	MOC8106*	TIL114		H11G1	MOC8021*
CNX62A*	H11A5	IS74	MOC8107*	TIL116		H11G2	MOC8030*
CNX72A	H11AV1	MCT2	MOC8108*	TIL117		H11G3	MOC8050*
CNX82A*	H11AV2	MCT210	MOC8111*			IS4N46	MOC8080
CNX83AG	H11AV3	MCT2200	MOC8112*			TIL113	TIL119*
CNY17-1	IL1	MCT2201	MOC8113*			IS661	
CNY17-2	IL2	MCT2202	SFH600-0			IS662	
CNY17-3	IL5	MCT270	SFH600-1			IS7000	
CNY17-4	IL74	MCT271	SFH600-2			IS725	
CNY17-5	IS1	MCT272	SFH600-3			ISPD60*	
CNY17F-1*	IS201	MCT273	SFH600-4			ISPD61*	
CNY17F-2*	IS202	MCT274	SFH601-1			ISPD62*	
CNY17F-3*	IS203	MCT275	SFH601-2			ISPD63*	
CNY17F-4*	IS204	MCT276	SFH601-3			ISPD64*	

\*Base lead not connected

...plus many more. If your required part number is not shown please contact us to discuss your requirements. All parts conform to the EU RoHS Directive 2002/95/EC.

### Lead Form & Packaging Options

- All devices are supplied in tubes in standard straight lead form unless specified.
- All devices are available in 10.16mm lead spread to ensure a minimum creepage distance of 8.0mm.
- All devices are available in surface mount lead form.
- All surface mount devices are available in Tape and Reel packaging.

### How To Order

- For VDE approval, add the suffix **X** to the required part number (e.g. 4N25X)
- For 10.16mm lead spread, add the suffix **G** to the required part number (e.g. 4N25XG)
- For surface mount option, add the suffix **SM** to the required part number (e.g. 4N25XSM)
- For tape and reel packaging, add the suffix **T&R** to the required part number (e.g. 4N25XSMT&R)

### For Price & Delivery

- Call ISOCOM COMPONENTS direct on +44 (0)1429 863609 or email your requirements to [sales@isocom.co.uk](mailto:sales@isocom.co.uk), or
- Contact your local ISOCOM COMPONENTS distributor. Visit [www.isocom.com](http://www.isocom.com) for details.